

# NILE SERIES

FIREWIRE DIGITAL CAMERA LINEUP

COLOR

**20FPS at 1388x1036**

Auto Iris

IIDC1.31 compliant

YUV / AWB / Ext. Trigger

Auto Sync. / LUT



**IMI NILE SERIES IMC-5140FT / 5120FT / 5080FT / 5040FT**

## Overview



The NILE SERIES are Digital Area Scan CCD Cameras with a FIREWIRE Interface, auto iris and an external Trigger for the most demanding industrial applications. Equipped with a Sony Progressive Area Scan CCD sensor, the NILE SERIES provides high image quality while 100% product testing ensures maximum stability and consistency.

*FIREWIRE INTERFACE WITH EXTERNAL TRIGGER & AUTO IRIS I/O*



## Applications

Machine Vision & ITS(LPR)

Semi Con Inspection

F&B Inspection

Microscopy & Medical

Industrial Analysis

Bar Code, OCR, OCV

## Features

The fully IIDC 1.31 compliant NILE SERIES supports up to 16 FPS, while rich in features necessary for all applications. An External Trigger supports mode 0, 1, 2, 3, 4, 5 and 12,13, 14 and 15 which are unique when compared with other cameras. All models support Photo-coupler and multi camera auto sync which are ideal for application with multiple cameras; and other advanced features such as auto iris control and memory save/load one-shot and multi-shot capability. In addition, RS232 Pass through, 1us ~ 3600s shutter speed, True Speed Format 7 Partial Scan, LUT(4point, user defined), and horizontal and vertical Binning mode provide maximum flexibility for challenging applications. The latest NILE SERIES firmware can be upgraded via FIREWIRE, and can be downloaded, along with SDK and Demo Applications, from our website.



IMI TECHNOLOGY CO., LTD.

#2 Eun-Seok Bldg. 729-1 Yeoksam-Dong  
Gangnam-Gu, Seoul 135-080, Korea

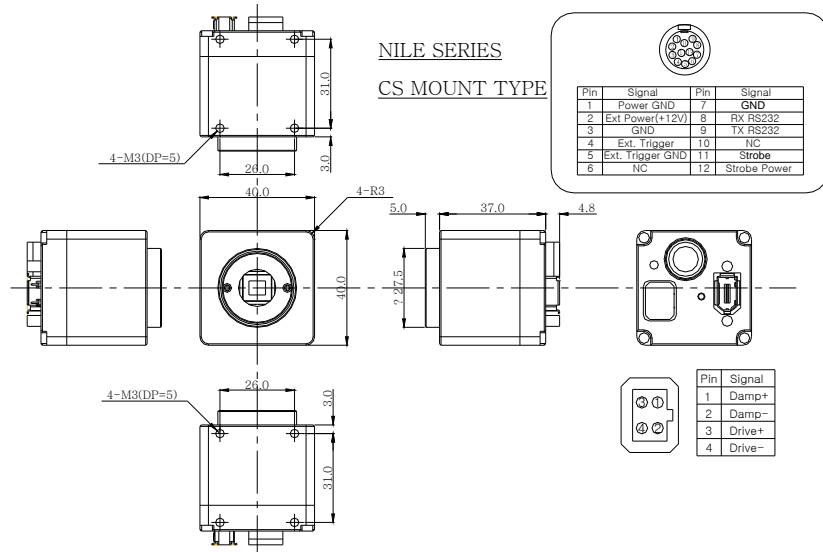
Tel :rep) 82-2-527-9800 Fax : 82-2-527-9900

Email : sales@imi-tech.com

Website : www.imi-tech.com

For Sales Inquiry and Technical Support ▶

## Dimension ( in mm)



## Specifications



Features	IMC-5140FT	IMC-5120FT	IMC-5080FT	IMC-5040FT
Image Sensor	1/2" CCD ICX267AK	1/3" CCD ICX445AQ	1/3" CCD ICX204AK	1/3" CCD ICX424 AK
Picture Size	1388(H) x 1036(V)	1292(H) x 960(V)	1024(H) x 768(V)	640(H) x 480(V)
Data Output	YUV422, Y8, Y16			
Pixel Depth	12bit			
Pixel Size	4.65 x 4.65 um	3.75 x 3.75 um	4.65 x 4.65 um	7.40 x 7.40 um
FPS at Max resolution	20fps	25fps	36fps	86fps
Scanning System	Progressive Scan			
Binning	Not Supported			
Format7	Partial Scan (Unit : 4x4)			
External Trigger	Mode 0, 1, 2, 3, 4, 5, 12,13, 14,15 (Photo-coupler)			
Strobe Output	Active Low or High, Support Normal Mode or Trigger Mode (Photo-coupler)			
Memory Save/Load	16 Channels(0:factory, 1~4:feature, 5~15:mode/feature)			
One-shot/Multi-shot	1 Shot ~65,535 Shots			
SIO (RS-232)	IIDC v1.31 version : Pass through or IMI-Tech Command			
Digital Interface	IEEE 1394.a (6pin) 1 port			
Transfer Rate	400 Mbps			
Shutter	1usec ~ 3600 sec (Manual or Auto)			
Gain Control	0~18 dB Manual or Auto			
S/N Ratio	56 dB or better			
Control Function	Brightness, Sharpness, Gamma, Auto-Exposure, Shutter, Gain, Pan/Tilt, User defined AE, Auto White Balance, IRIS (Auto/Manual DC Control), LUT			
Lens Mount	C / CS Mount			
Supply Voltage & Power	8 VDC~ 30 VDC, 280mA 12V DC			
Dimensions / Weight	40 (W) x 40 (H) x 37 (D) mm / approx. 100 gram			

Note : Specification may be subject to change without notice.

 **IMI TECHNOLOGY CO., LTD.**

*Pioneer in Digital Vision Technology*

#2 Eun-Seok Bldg. 729-1 Yeoksam-Dong, Gangnam-Gu, Seoul 135-080, Korea,

Tel : 82-2-527-9800 Fax : 82-2-527-9900 Email : sales@imi-tech.com Website : www.imi-tech.com