

Update!

BLACK & WHITE

Pearl CCD Series

FireWire Digital Camera Lineup

UXGA TO VGA (Up to 2M)

- CCD
- Ultra Compact
- Ext. Trigger
- Auto Sync. / LUT



IMI PEARL SERIES IMB-20FT/17FT/15FT/12FT/11FT

Overview

The PEARL Series is comprised of rich features in an ULTRA COMPACT form factor with a wide range of resolutions that are unrivaled by any other camera supplier. The small form factor provides a minimum of space and weight to benefit challenging installations and applications. With the new addition of higher resolution cameras supporting up to 2 Mega Pixels, form factor is no longer a limit to most applications. Every unit has passed our rigorous testing procedure to ensure reliability; even in mission critical applications.



*FIREWIRE WITH EXTERNAL TRIGGER
INDUSTRIAL LOCK SCREW CONNECTOR*

Features

The fully compliant IIDC 1.31 Pearl Series cameras are cost effective vision solutions rich in the features and wide range of resolutions that are necessary for most applications. External Trigger supports mode 0, 1, 2, 3, 4, 5, 14 and 15 which are unique compared with cameras from other vendors. All model support multi camera auto sync which is ideal for application for multiple cameras. Other advanced features such as one-shot and multi-shot capability, RS232 Pass through, 1us ~ 3600s shutter speed, Fast Format 7 Partial Scan, Memory Save/Load, and LUT(4point, user define) provide maximum flexibility for real applications. Pearl Series cameras are equipped with an industrial screw lock cable connector to ensure a stable camera connection. The latest Pearl Series firmware, which can be upgraded via FIREWIRE, along with a free SDK and Demo Applications can be obtained from our website.

Applications

- Machine Vision & ITS(LPR)
- Semi Con Inspection
- F&B Inspection
- Microscopy & Medical
- Industrial Analysis
- Bar Code, OCR, OCV

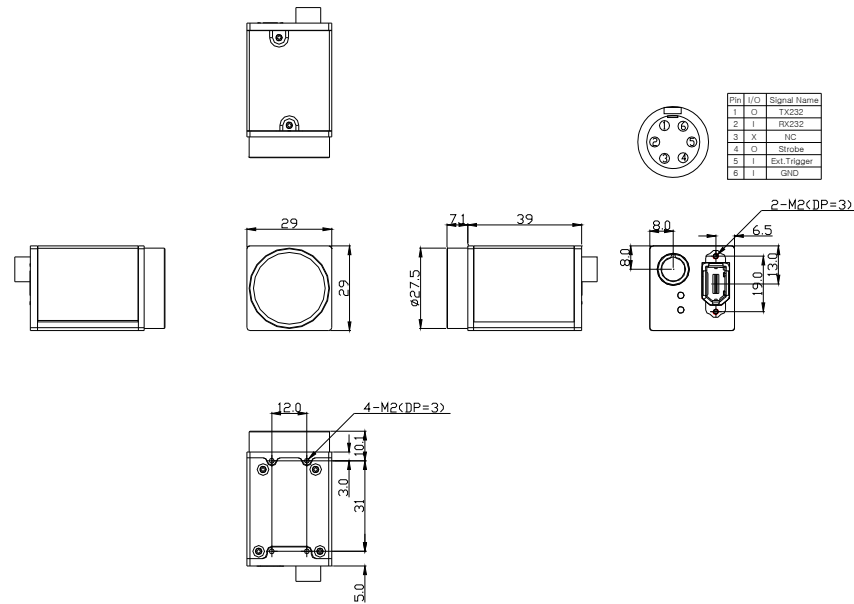
For Sales Inquiry and Technical Support ▶



IMI TECHNOLOGY CO., LTD.

#2 Eun-Seok Bldg. 729-1 Yeoksam-Dong
Gangnam-Gu, Seoul 135-080, Korea
Tel : 82-2-527-9800 Fax : 82-2-527-9900
Email : sales@imi-tech.com
Website : www.imi-tech.com

Dimension (in mm)



Specifications



Features	IMB-20FT	IMB-17FT	IMB-15FT	IMB-12FT	IMB-11FT
Image Sensor	1/1.8" progressive scan CCD Sony ICX274AL	1/2" progressive scan CCD Sony ICX267AL	1/3" progressive scan CCD Sony ICX204AL	1/2" progressive scan CCD Sony ICX414AL	1/3" progressive scan CCD Sony ICX424AL
Picture Size	1600(H) x 1200(V)	1388(H) x 1040(V)	1024(H) x 768(V)	640(H) x 480(V)	640(H) x 480(V)
Data Output	Y8, Y16				
Pixel Depth	12 bit				
Pixel Size	4.40 x 4.40 um	4.65 x 4.65 um	4.65 x 4.65 um	9.90 x 9.90 um	7.40 x 7.40 um
FPS at Max resolution	16fps	20fps	36fps	60fps	86fps
Scanning System	Progressive Scan				
Binning	2x2, 1x2				
Format7	Partial Scan (Unit : 4x4)				
External Trigger	Mode 0, 1, 2, 3, 4, 5, 14, 15 (TTL)				
Strobe Output	Active High, Supports Normal Mode or Trigger Mode (TTL)				
Memory Save/Load	16 Channels(0:factory, 1~4:feature, 5~15:mode/feature, only for IMB-20FT/IMB-17FT)				
One-shot/Multi-shot	1 Shot ~65,535 Shots (only for IMB-20FT/IMB-17FT)				
SIO (RS-232)	IIDC v3.1version : Pass Through or IMI-Tech Command				
Digital Interface	IEEE 1394a (6pin) 1 Port				
Transfer Rate	400 Mbps				
Shutter	1usec ~ 3600 sec (Manual or Auto)				
Gain Control	0~18 dB (Manual or Auto)				
S/N Ratio	56dB or better				
Control Function	Brightness, Sharpness, Gamma, Auto-Shutter, Auto Gain, Pan/Tilt, LUT (4point, user defined, only for IMB-20FT/IMB-17FT)				
Lens Mount	C / CS Mount				
Supply Voltage & Power	8 VDC~ 30 VDC, 200mA 12V DC				
Dimensions / Weight	29 (W) x 29 (H) x 39 (D) mm / approx. 63 gram				

Note : Specification may be subject to change without notice.